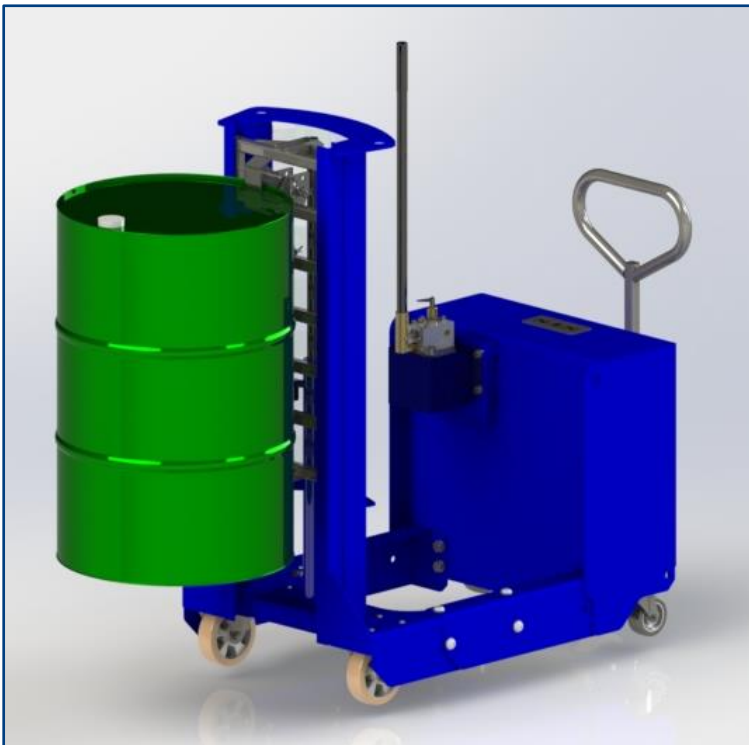


Counterbalance Drum Depalletiser

DTP08-250kg (or DTP08-350kg)



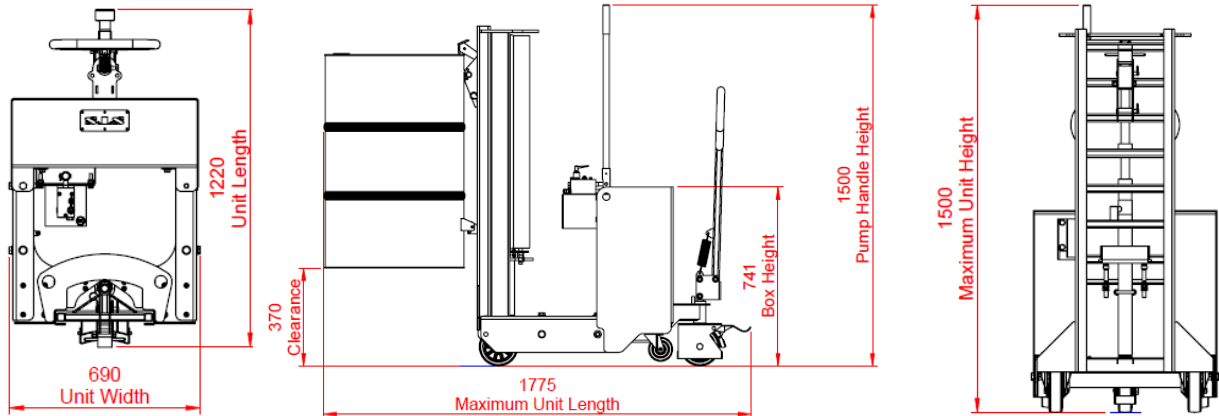
Technical specification:

- safe working load (SWL) 250kg;
- unit weight 450kg;
- 370mm lift height (taller options available);
- width 690mm;
- height 1500mm;
- length 1200mm;
- pump handle height 1500mm;
- adjustable stainless steel drum catch for use with various drums;
- 160mm front wheels;
- two 100mm outrigger castor wheels for stability;
- single rear wheel steering for maximum maneuverability, includes parking brake;
- mild steel shot blast, zinc enriched primer and powder coat RAL5010 applied;
- twin speed manual hydraulic lift;
- for use on smooth, level floors;
- complies with EC Machinery Directive 2006/42/EC;
- CE marked;
- shipping dimensions - assembled: 800mm x 1200mm x 1650mm (width x depth x height).

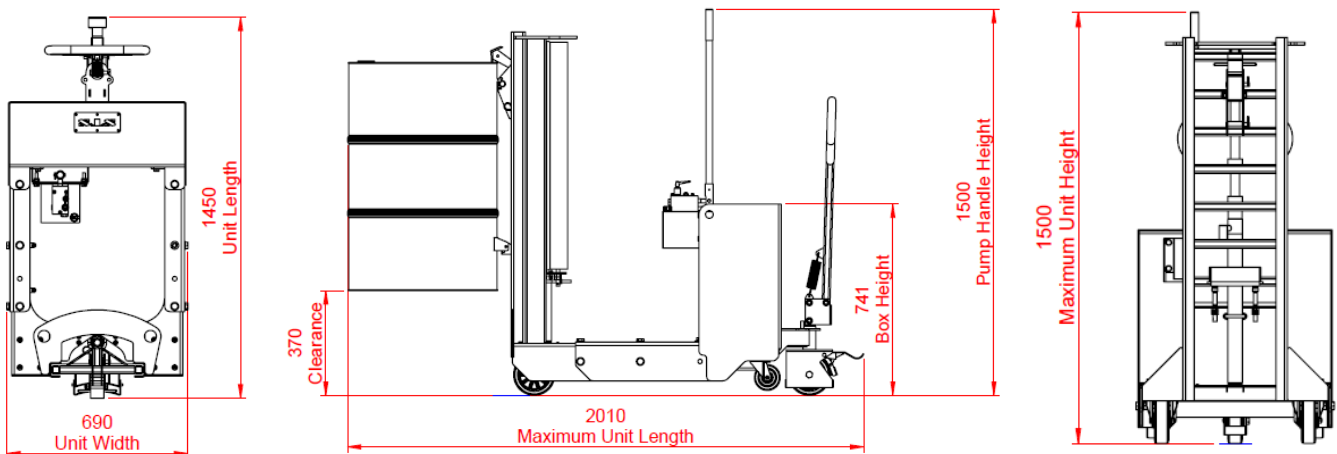
Unit options:

- ATEX compliant model available;
- full stainless steel model available;
- increased SWL up to 350kg available;
- increased lift height, 600mm beneath drum.

The DTP08-250kg is a short counterbalance depalletiser with manually operated hydraulic lift which is designed to lift and manoeuvre various drums types. It features a counterweight at the rear of the unit to allow lifting drums and barrels without the need of front supporting legs. The DTP08 is best suited for applications where drums are stored on a pallet and need to be lifted into dispensing machines that have no access for wheels to go around or underneath. If you require an ATEX certified unit for a hazardous area please consider our ATEX rated Counterbalance Drum Depalletiser; the DTP08-Ex.



Please see the above general arrangement drawings of the short counterbalance depalletiser (DTP08-250kg) suitable for confined areas. **A longer DTP08-350kg with 350kg SWL is available, dimensions are shown below.**



UK
Manufacture

BESPOKE HANDLING EQUIPMENT LTD (T.A. STS)
 Praze Rd Leedstown, Hayle, Cornwall, TR27 6DS
 Tel: +44 (0)1736 851050
 Fax: +44 (0)1736 851023
 Website: www.sts-trolleys.co.uk
 Email: sales@sts-trolleys.co.uk

