

STE01-DRU01

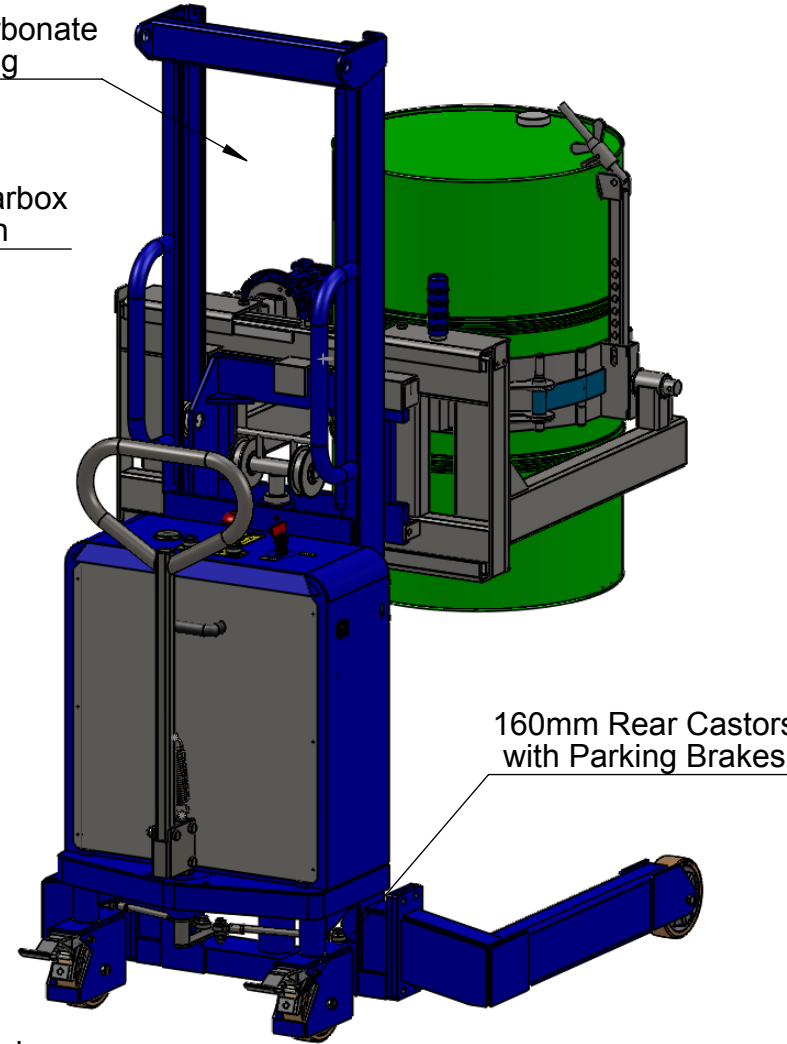
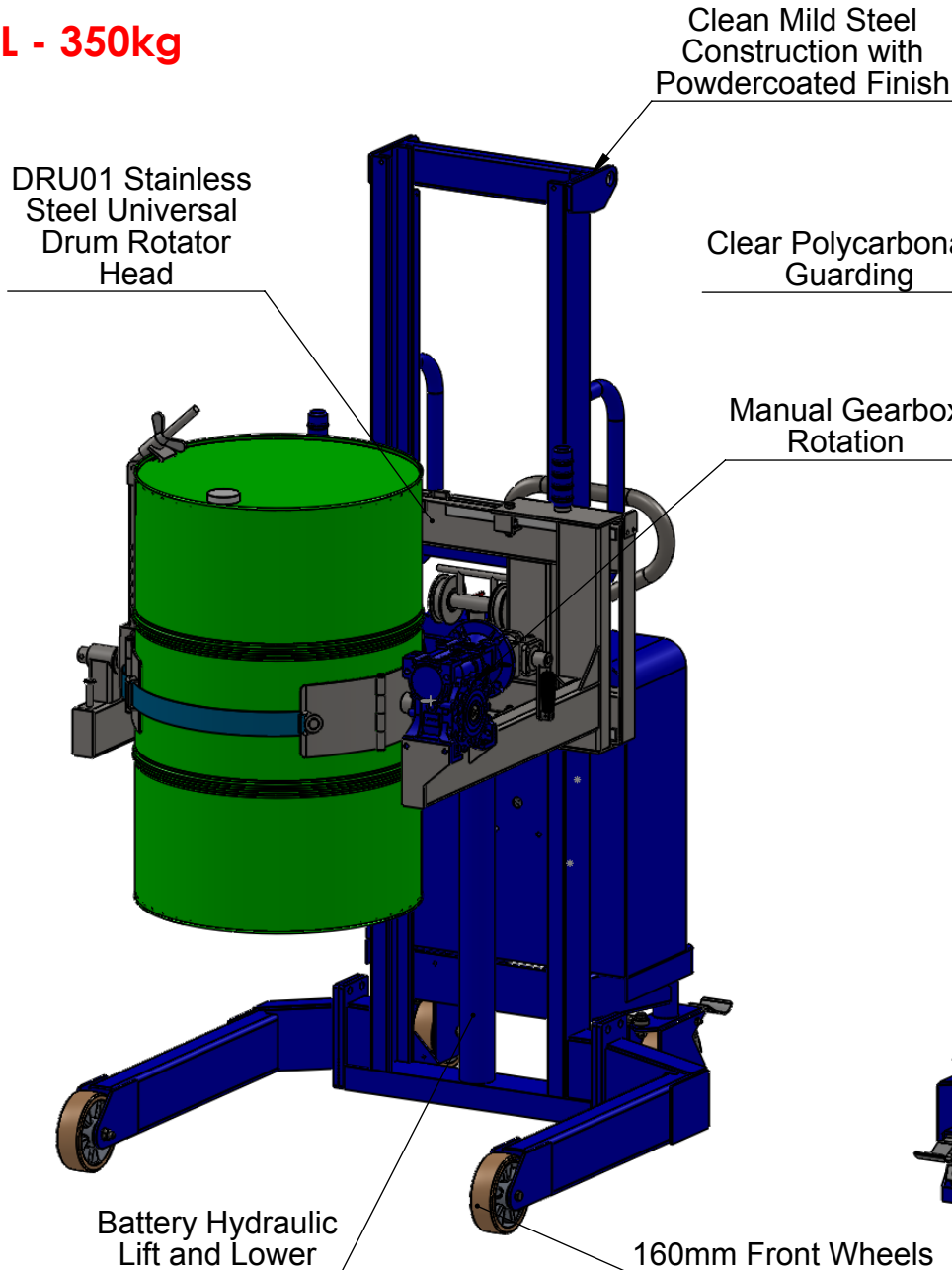
SWL - 350kg

Customer Drawing Approval

Name :

Signature:

Date :

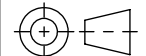


FINISH:

MATERIAL:

DEBURR AND BREAK SHARP EDGES

UNLESS OTHERWISE SPECIFIED, DIMENSIONS ARE IN MILLIMETERS
 TOLERANCE LINEAR: 0.0 +/0.5
 0.0 +/0.1
 TOLERANCE ANGULAR: 0.0 +/0.5

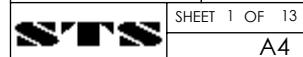
THIRD ANGLE PROJECTION
 SCALE: 1:15
 DO NOT SCALE DRAWING

	NAME	DATE
DRAWN	JW	09/06/2011
CHK'D	-	-
APP'VD	-	-

TITLE:
 Unit Specification
 Technical File
 STE01-DRU01

CUSTOMER:

JOB NO.	REVISION
DWG NO. 001402-1	B-06



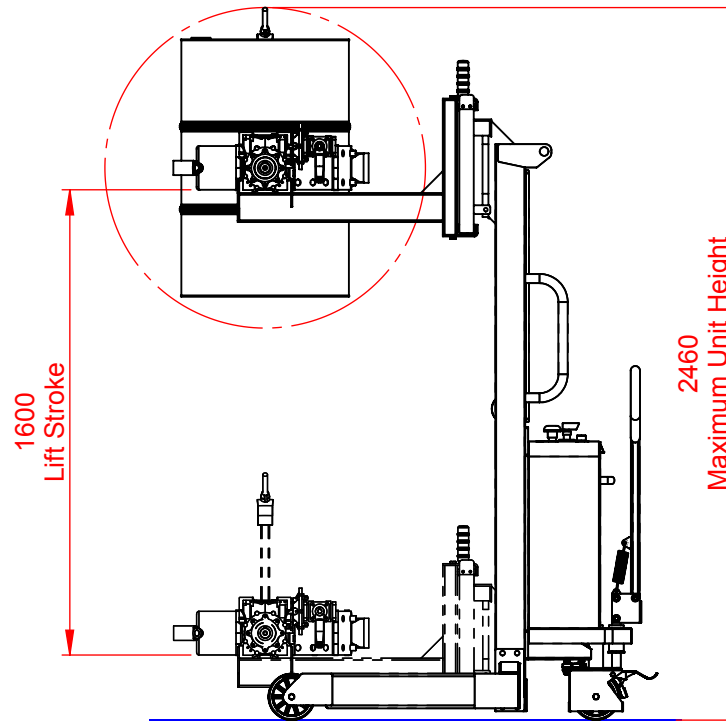
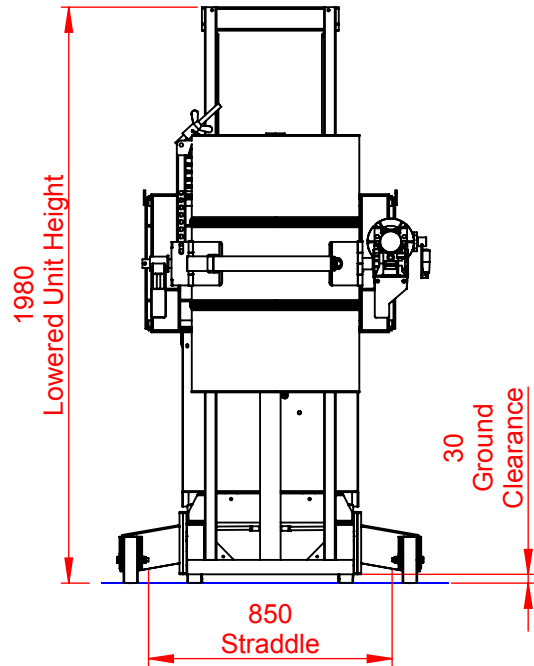
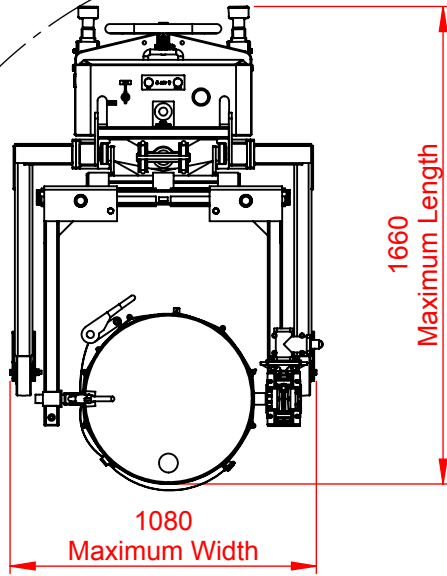
Bespoke Handling Equipment Ltd.
 LEEDSTOWN, CORNWALL, TR27 6DS
 TEL: 01736 851050 FAX: 01736 851023
 EMAIL: sales@sts-trolleys.co.uk
 WEB: www.sts-trolleys.co.uk

PROPRIETARY AND CONFIDENTIAL
 THE INFORMATION CONTAINED IN THIS DRAWING IS FOR THE SOLE PROPERTY OF BESPOKE HANDLING EQUIPMENT LTD. ANY REPRODUCTION IN PART OR AS A WHOLE WITHOUT THE WRITTEN PERMISSION OF BESPOKE HANDLING EQUIPMENT IS PROHIBITED.

STE01-DRU01

SWL - 350kg

R1610
Turning
Radius



Customer Drawing Approval

Name :

Signature:

Date :

FINISH:

MATERIAL:

DEBURR AND BREAK SHARP EDGES

UNLESS OTHERWISE SPECIFIED, DIMENSIONS ARE IN MILLIMETERS
TOLERANCE LINEAR: 0.0 +/0.5 0.0 +/0.1
TOLERANCE ANGULAR: 0.0 +/0.5

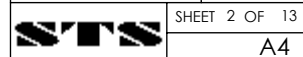
THIRD ANGLE PROJECTION
SCALE: 1:26
DO NOT SCALE DRAWING

	NAME	DATE
DRAWN	JW	09/06/2011
CHK'D	-	-
APP'VD	-	-

TITLE:
General Arrangement
Technical File
STE01-DRU01

CUSTOMER:

JOB NO.	REVISION
DWG NO. 001402-2	B-06



Bespoke Handling Equipment Ltd.
LEEDSTOWN, CORNWALL, TR27 6DS
TEL: 01736 851050 FAX: 01736 851023
EMAIL: sales@sts-trolleys.co.uk
WEB: www.sts-trolleys.co.uk

PROPRIETARY AND CONFIDENTIAL
THE INFORMATION CONTAINED IN THIS DRAWING IS FOR THE SOLE PROPERTY OF BESPOKE HANDLING EQUIPMENT LTD. ANY REPRODUCTION IN PART OR AS A WHOLE WITHOUT THE WRITTEN PERMISSION OF BESPOKE HANDLING EQUIPMENT IS PROHIBITED.

STE01-DRU01

SWL - 350kg

Customer Drawing Approval

Name :

Signature:

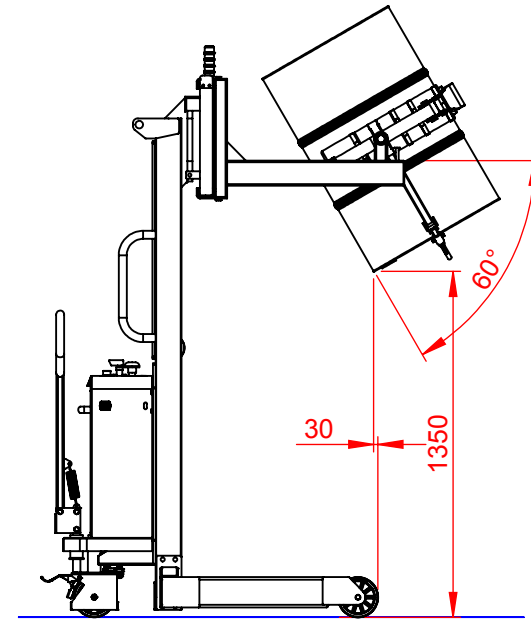
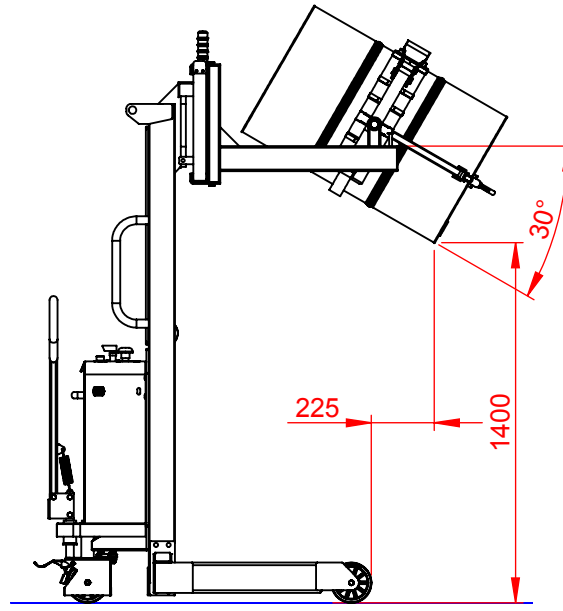
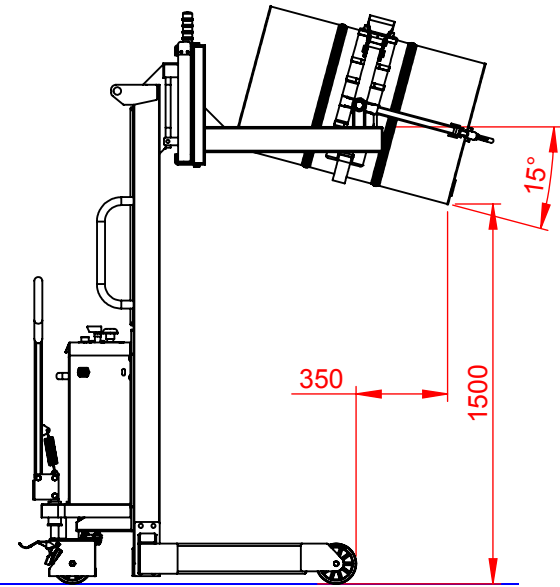
Date :

Tipping Heights

15° TIP

30° TIP

60° TIP



NOTE: STANDARD 205L STEEL DRUM USED FOR 2D DRG. TIPPING HEIGHTS WILL VARY FOR OTHER SIZED DRUMS

FINISH:		
MATERIAL:		
DEBURR AND BREAK SHARP EDGES		
UNLESS OTHERWISE SPECIFIED, DIMENSIONS ARE IN MILLIMETRES	TOLERANCE LINEAR:	0. +/-0.5 0.0 +/-0.1
	TOLERANCE ANGULAR:	0. +/-0.5
THIRD ANGLE PROJECTION	SCALE: 1:30	
	DO NOT SCALE DRAWING	
	NAME	DATE
DRAWN	JW	09/06/2011
CHK'D	-	-
APP'VD	-	-
TITLE:		
Tipping Heights Technical File STE01-DRU01		
CUSTOMER:		
JOB NO.		
DWG NO.	REVISION	
001402-3	B-06	
SHEET 3 OF 13		
Bespoke Handling Equipment Ltd. LEEDSTOWN, CORNWALL, TR27 6DS TEL: 01736 851050 FAX: 01736 851023 EMAIL: sales@sts-trolleys.co.uk WEB: www.sts-trolleys.co.uk		
PROPRIETARY AND CONFIDENTIAL THE INFORMATION CONTAINED IN THIS DRAWING IS FOR THE SOLE PROPERTY OF BESPOKE HANDLING EQUIPMENT LTD. ANY REPRODUCTION IN PART OR AS A WHOLE WITHOUT THE WRITTEN PERMISSION OF BESPOKE HANDLING EQUIPMENT IS PROHIBITED.		

STE01-DRU01

SWL - 350kg

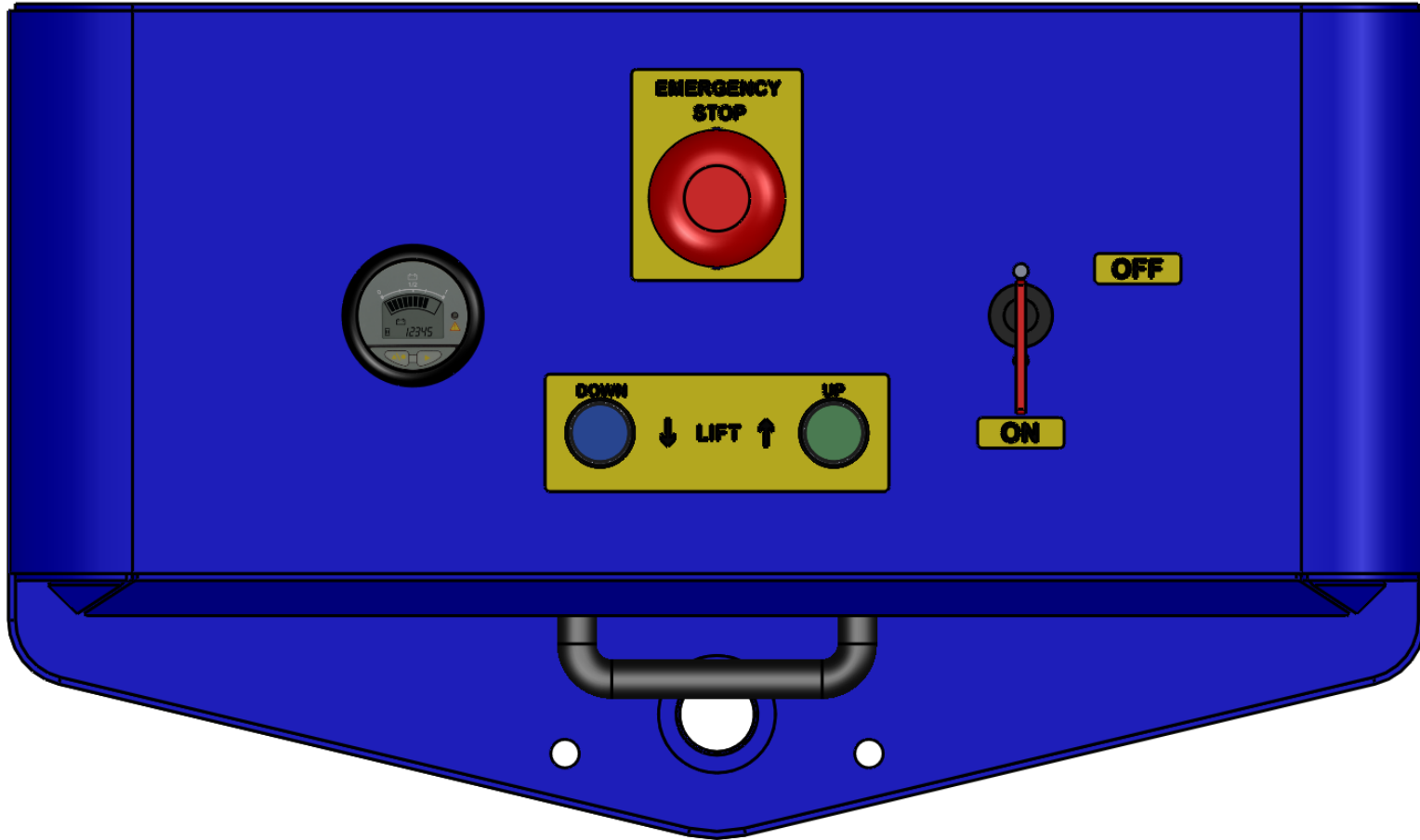
Customer Drawing Approval

Name :

Signature:

Date :

Control Panel Layout



FINISH:

MATERIAL:

DEBURR AND BREAK SHARP EDGES

UNLESS OTHERWISE SPECIFIED, DIMENSIONS ARE IN MILLIMETERS	TOLERANCE LINEAR:	0.0	+/-0.5
		0.0	+/-0.1
	TOLERANCE ANGULAR:	0.0	+/-0.5

THIRD ANGLE PROJECTION	SCALE: 1:3
------------------------	------------

	DO NOT SCALE DRAWING
--	----------------------

	NAME	DATE
DRAWN	JW	09/06/2011
CHK'D	-	-
APPVD	-	-

TITLE:
Control Layout
Technical File
STE01-DRU01

CUSTOMER:

JOB NO.	
DWG NO.	REVISION
001402-4	B-06

	SHEET 4 OF 13
	A4

Bespoke Handling Equipment Ltd.
LEEDSTOWN, CORNWALL, TR27 6DS
TEL: 01736 851050 FAX: 01736 851023
EMAIL: sales@sts-trolleys.co.uk
WEB: www.sts-trolleys.co.uk

PROPRIETARY AND CONFIDENTIAL
THE INFORMATION CONTAINED IN THIS DRAWING IS FOR THE SOLE PROPERTY OF BESPOKE HANDLING EQUIPMENT LTD. ANY REPRODUCTION IN PART OR AS A WHOLE WITHOUT THE WRITTEN PERMISSION OF BESPOKE HANDLING EQUIPMENT IS PROHIBITED.